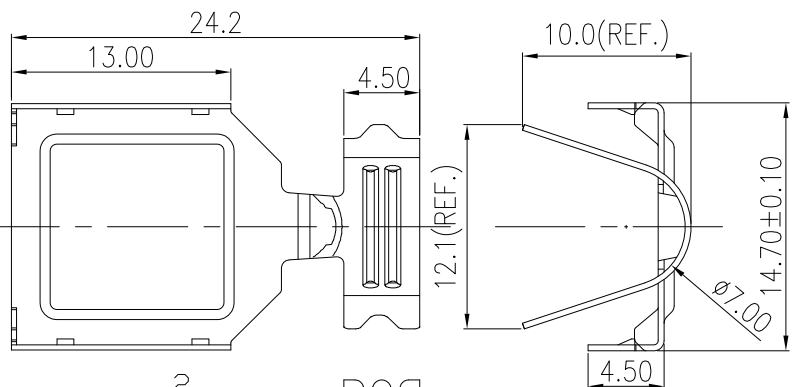
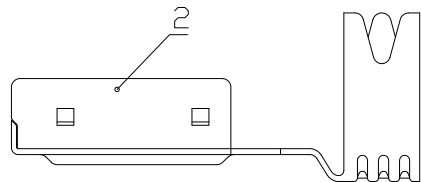


CUSTOMER DRAWING

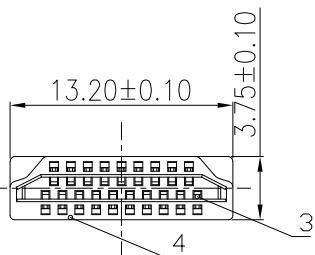


TOP COVER
PART NO. S01044-112

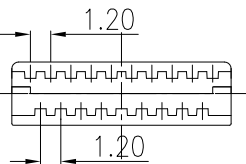
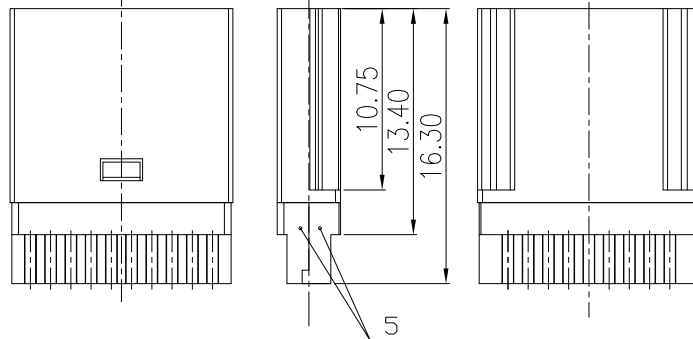


NOTE:

1. MECHANICAL :
 - 1.1 INSERTION FORCE :44.1 N(4.5kgf) Max.
 - 1.2 WITHDRAWAL FORCE :9.8 N(1.0kgf) Min. ,39.2N(4.0kgf) Max.
2. ELECTRICAL :
 - 2.1 CONTACT CURRENT RATING: 0.5A MIN.
 - 2.2 VOLTAGE RATING :40V AC (rms)
 - 2.3 WITHSTANDING VOLTAGE: 500 VAC FOR 1 MINUTE.
 - 2.4 INSULATION RESISTANCE: 100 MEGOHMS MIN.
 - 2.5 CONTACT RESISTANCE: 30 MILLIOHMS MAX.
3. ENVIRONMENTAL :
 - 3.1 OPERATING TEMPERATURE:-25°C TO +85°C



PRODUCT
PART NO. B01043-40041

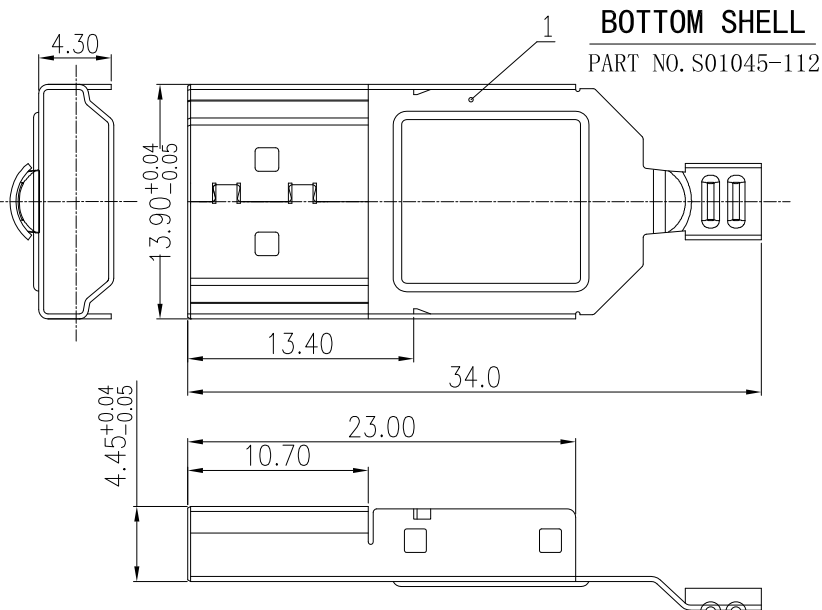


B 01 04 3 - 4 00 4 1 - N
(1) (2) (3) (4) (5)

- (1) HOUSING MATERIAL:
 - 1 :PBT(阻燃) 2 :PBT(非阻燃)
 - 3 :PBT(无卤) 4 :LCP
- (2) HOUSING COLOUR:
 - 00 : BLACK 01 : WHITE 05 :BLUE
- (3) CONTACT MATERIAL :
 - 3:BRASS 4:PHOSPHOR BRONZE
- (4) PLATING OF CONTACT :
 - 1 : GOLD FLASH OVER TIN/NICKEL
 - 2 : 1U" GOLD OVER TIN/NICKEL
 - 3 : 3U" GOLD OVER TIN/NICKEL
 - 4 : 5U" GOLD OVER TIN/NICKEL
 - 5 : 15U" GOLD OVER TIN/NICKEL
 - 6 : 30U" GOLD OVER TIN/NICKEL
- (8) TERMINAL TIN CONFIGURATION
Y:ADD TIN N:NO TIN

S 01 04 5 - 1 1 2
(1) (2) (3) (4)

- (1) SHELL SPECIFICATION
 - 5 : BOTTOM SHELL
 - 4 : TOP SHELL
- (2) SHELL MATERIAL :
 - 1 : SPCC 3:BRASS
- (3) PLATING OF SHELL :
 - 1 : SHELL NICKEL PLATED
 - 8 : GOLD FLASH ALL PLATING
- (4) SALT FOG TIME :
 - 2 :SALT FOG 24H
 - 3 :SALT FOG 36H
 - 4 :SALT FOG 48H



BOTTOM SHELL
PART NO. S01045-112

5	MOLDING	2	LCP, BLACK	
4	HOUSING	1	LCP, BLACK	
3	CONTACT	19	C5191	15u" GOLD PLATED OVER NICKEL TIN PLATED IN THE SOLDER AREA
2	TOP COVER	1	SPCC	NICKEL PLATED
1	BOTTOM SHELL	1	C2680 & SPCC	1u" GOLD PLATED
ITEM	PART NAME	QTY.	MATERIAL	REMARK

DSND	MWL in	DATE	2015-06-21	SCALE: 1:1	MODEL TYPE: HDMI A TYPE SOLDER TYPE PLUG
CHKD	MWL in	DATE	2015-06-21	VIEW:	PART NO. B01043-40041-N
APVD	ZHANG	DATE	2015-06-21	UNIT: mm	S01045-112 S01044-112
				DWN. NO.	REVISION
				C0104	A0

库乐科技

△ X					ANGULAR	± 1°
△ X					0.000	± 0.10
△ X					0.00	± 0.25
△ X					0.0	± 0.30
MARK	DESCRIPTION	DATE	REVISED	APPROVED	0.	± 0.50
REVISIONS						UNSPECIFIED TOLERANCE